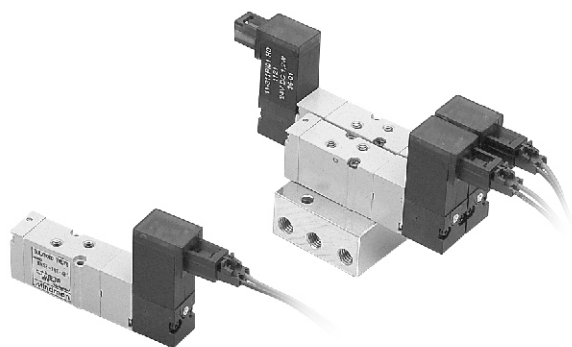


MVSF-100 series

SOLENOID VALVE



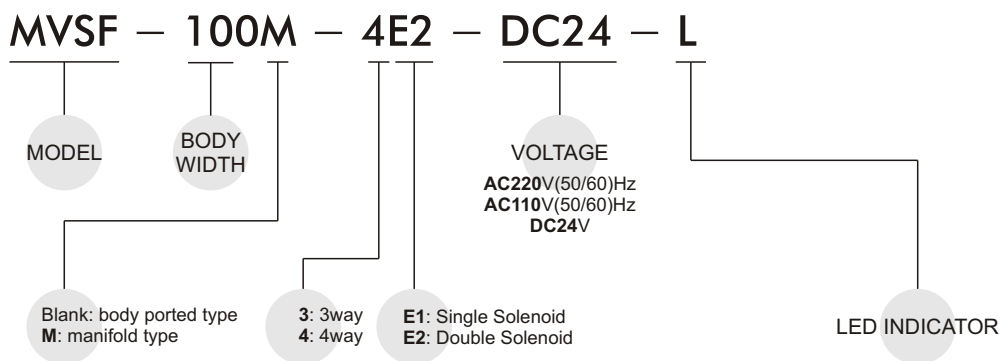
Specification:

Model	MVSF-100-3E1	MVSF-100-4E1	MVSF-100-4E2
Bore No.	M3		
Port size	M3 × 0.5		
No. of port	3	5	
No. of position	2		
Medium	Air		
Operating pressure range	1.5~8 kgf/cm ²		
Effective orifice mm ² (Cv)	P→A/B: 1.0 (0.06)		
Response time	12 ms		
Ambient temperature	-5~+50℃ (No freezing)		
Lubrication	Not necessary		
Voltage	DC6, 12, 24V		
Power consumption	1.2 W (LED indicator)		
Available voltage range	± 10%		
Insulation class	IP 51		
Weight	13 g	26 g	41 g

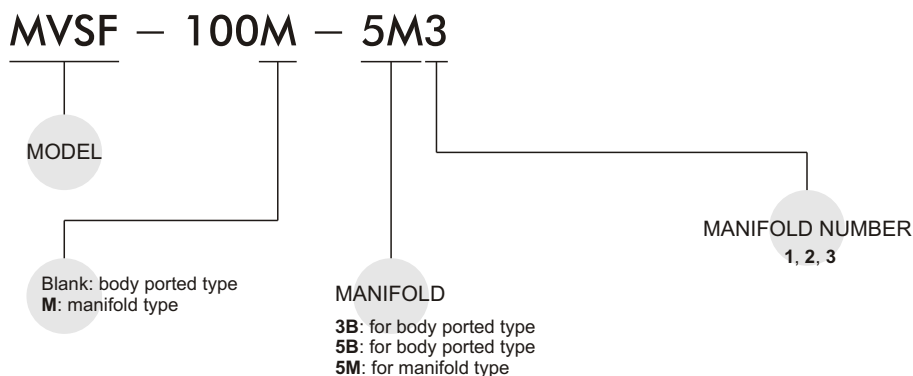
Features:

- **Low power consumption: 1.2W**
- **Compact design, Large flow capacity:**
Cv factor for this series is 1.25 times larger than conventional valve with the same body width.
- **Quick response time: 12ms**

Order example of valve:



Order example of manifold:

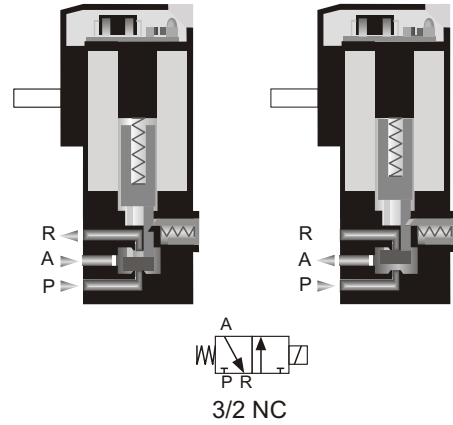
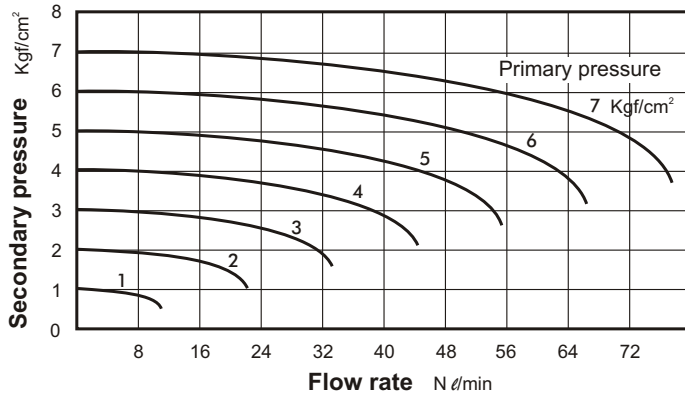


MVSF-100

SOLENOID VALVE

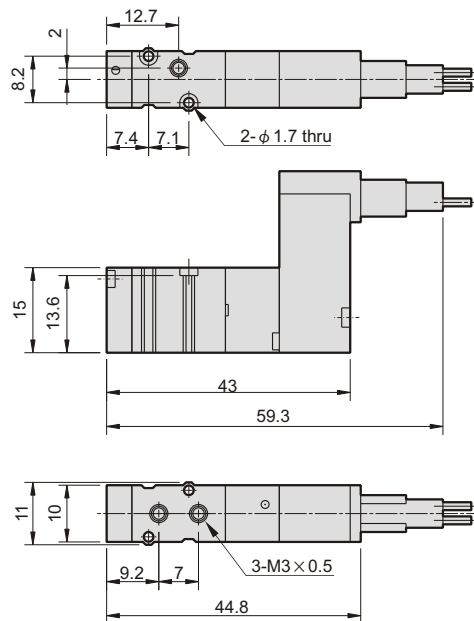
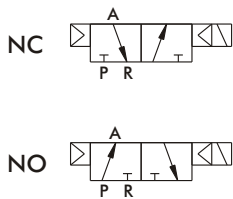


Flow features:



Dimensions:

MVSF-100-3E1-NC/NO

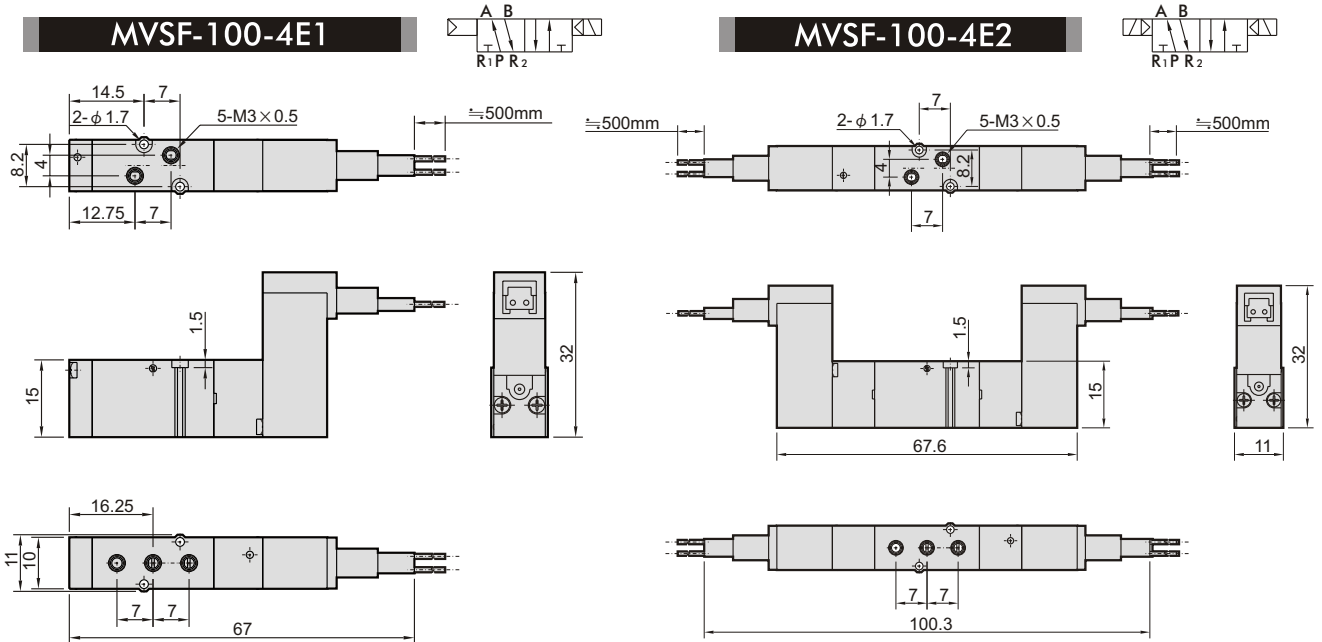


MVSF-100

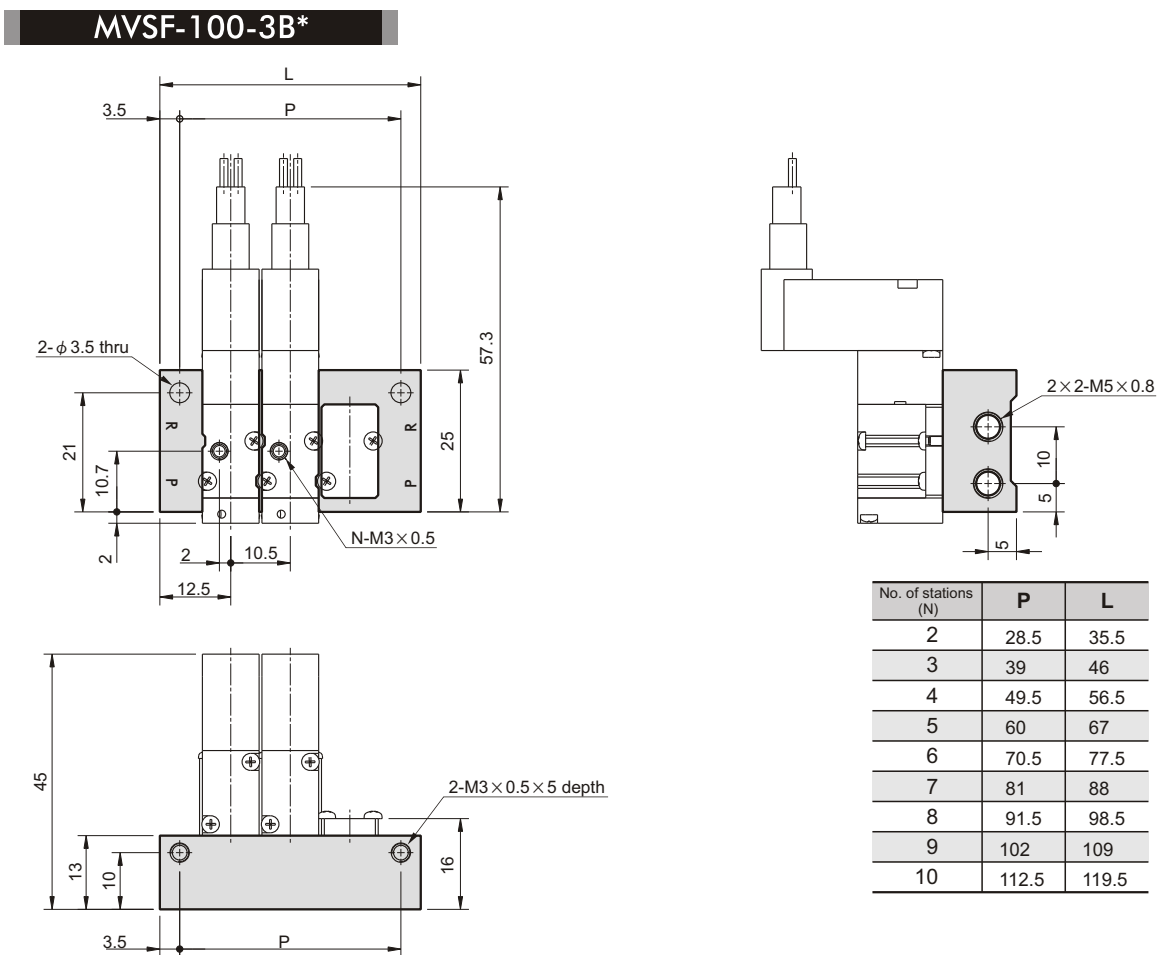
SOLENOID VALVE



Dimensions:



Manifold of solenoid valve:



MVSF-100

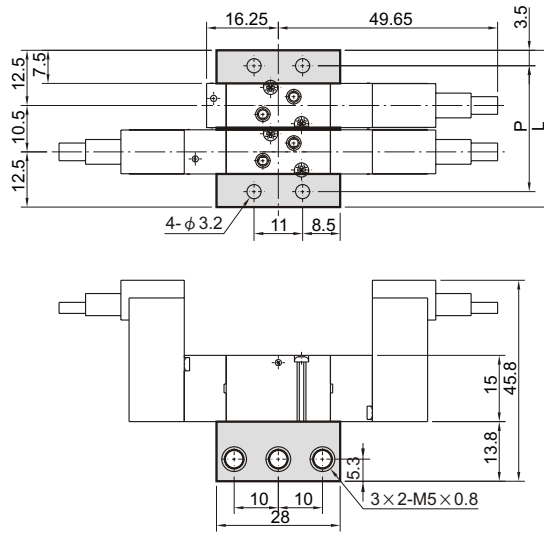
SOLENOID VALVE



Manifold of solenoid valve:

MVSF-100-5B*

No. of stations	P	L
2	28.5	35.5
3	39	46
4	49.5	56.5
5	60	67
6	70.5	77.5
7	81	88
8	91.5	98.5
9	102	109
10	112.5	119.5



MVSF-100M-5M*

No. of stations (N)	P	L
2	33.5	41.5
3	44	52
4	54.5	62.5
5	65	73
6	75.5	83.5
7	86	94
8	96.5	104.5
9	107	115
10	117.5	125.5

